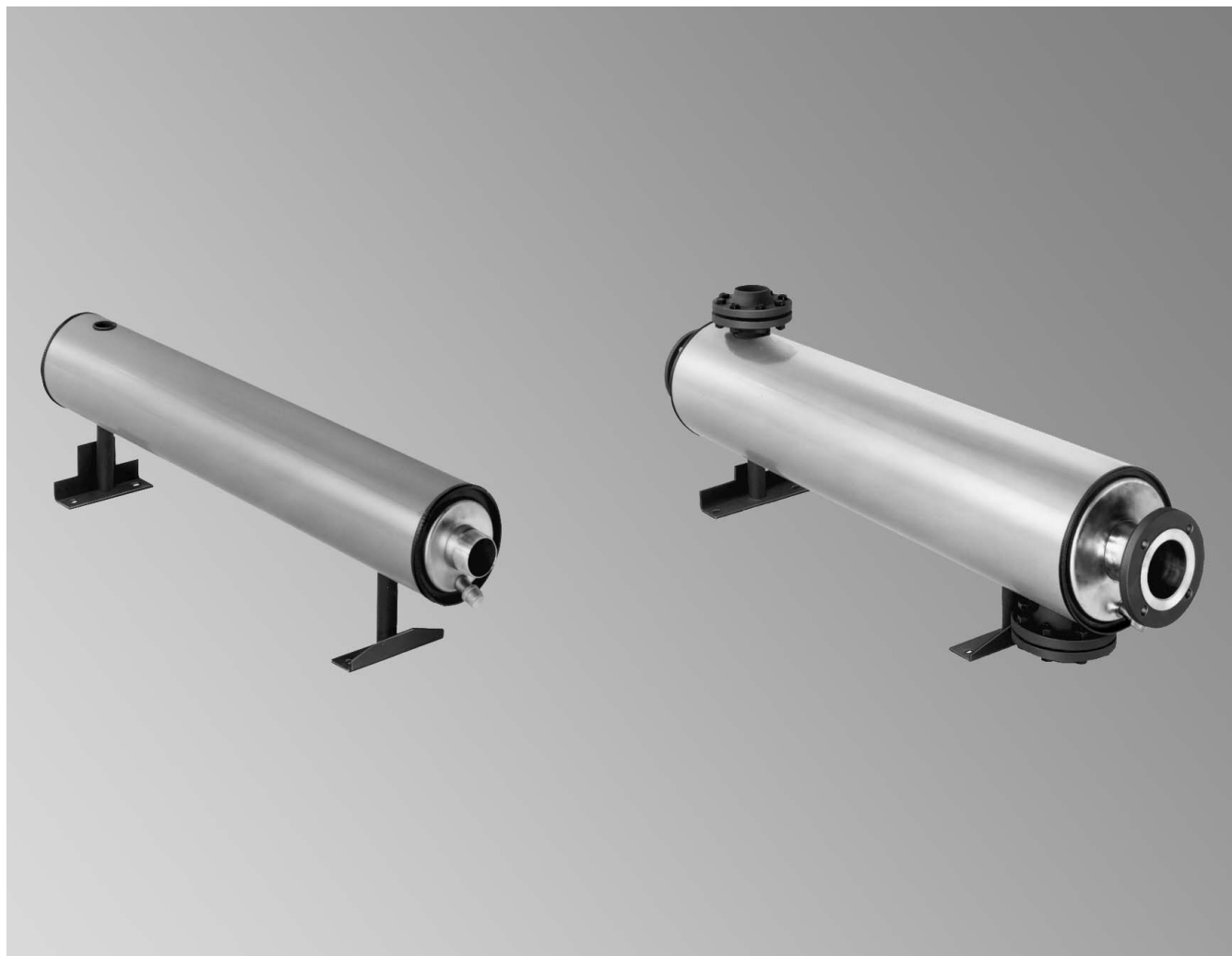


Datasheet

Part numbers and prices: see pricelist



File in:
Vitotec folder, register 17



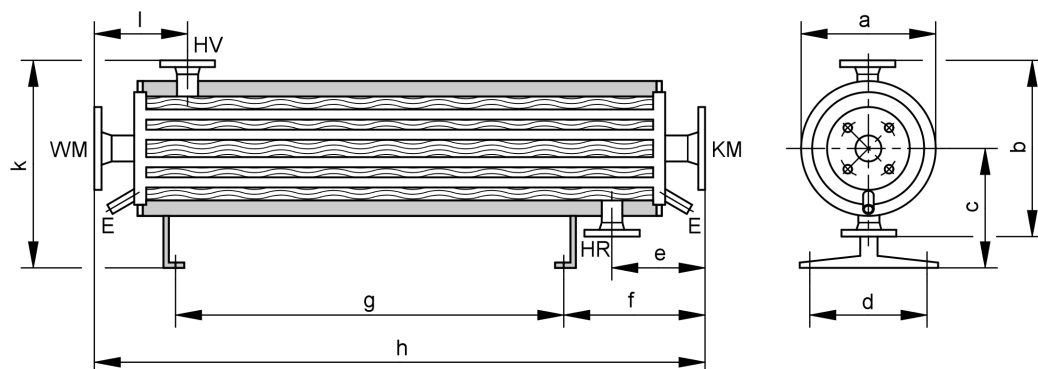
VITOTRANS 200 Type WTT

Heat exchanger for swimming pool water heating
Heating tube array made from high-alloy stainless steel

Specification

Specification

Vitotrans 200	Part no.	3003 453	3003 454	3003 455	3003 456	3003 457	3003 458	3003 459
Dimensions								
Length h	mm	1034	1184	1534	1556	1836	1836	1856
Width a (∅)	mm	167	213	213	250	300	300	404
Height k	mm	306	434	434	459	475	508	577
Weight								
Heat exchanger with thermal insulation	kg	19	39	48	61	87	122	182
Content								
Heating water	litres	4.0	9.0	13.0	16.0	34.0	43.0	61.0
Water to be heated	litres	4.0	7.2	9.3	15.2	22.5	32.4	56.0
Permissible operating pressure								
Process medium (primary)	bar	10	10	10	10	10	10	10
Medium to be heated (secondary)	bar	6	6	6	6	6	6	6
Permiss. operating temperature	°C	110	110	110	110	110	110	110
Connections								
Process medium	R	1¼"	—	—	—	—	—	—
	PN 16 DN	—	50	65	65	100	125	150
Medium to be heated	R	2"	—	—	—	—	—	—
	PN 6 DN	—	80	80	100	100	125	PN 10 DN 150



E Drain
HR Process medium return
HV Process medium flow

KM Cold medium
WM Hot medium

Dimensions

Part no.		3003 453	3003 454	3003 455	3003 456	3003 457	3003 458	3003 459
a	mm	167	213	213	250	300	300	404
b	mm	184	345	345	370	410	441	514
c	mm	214	262	262	274	270	288	320
d	mm	130	190	190	190	240	240	240
e	mm	121	246	246	258	248	248	278
f	mm	191	388	438	398	438	438	498
g	mm	722	550	850	900	1150	1150	1100
h	mm	1034	1184	1534	1556	1836	1836	1856
k	mm	306	434	434	459	475	508	577

Dimension d and g: hole distance

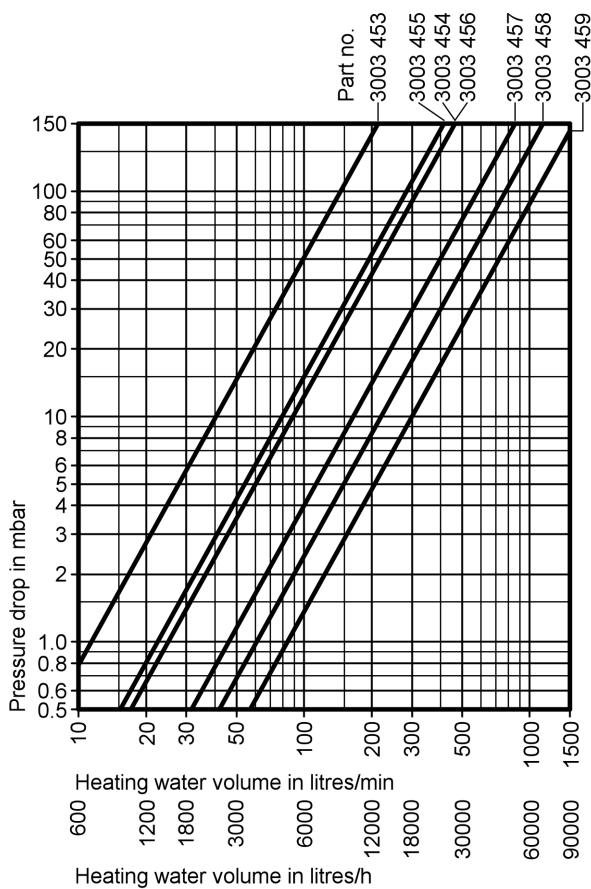
Specification (cont.)

Output*1 at different temperature spreads between the primary and secondary side

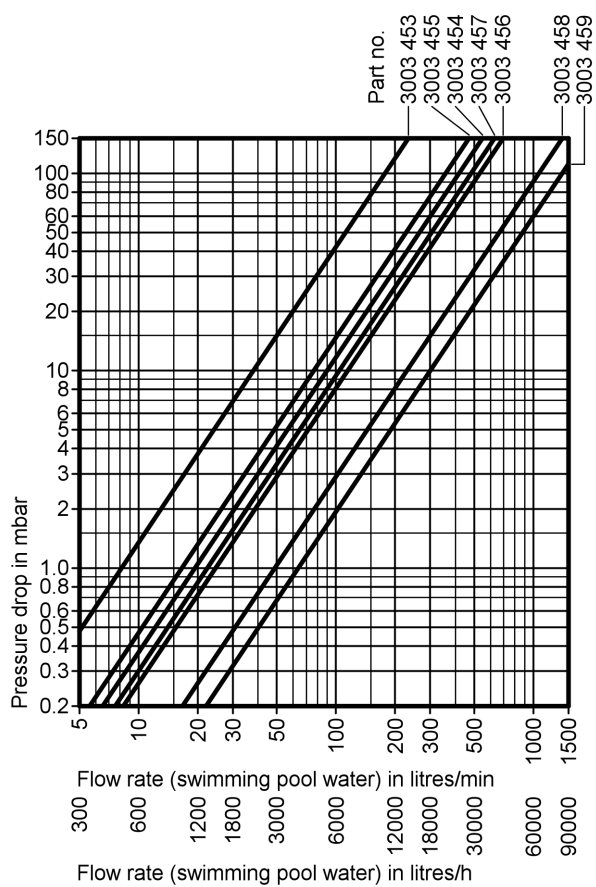
Vitotrans 200	Part no.	3003 453	3003 454	3003 455	3003 456	3003 457	3003 458	3003 459
prim. 90/70 °C	kW	46	93	150	230	375	580	1160
sec. / °C		22/27	22/27	22/32	22/32	22/37	22/37	22/37
prim. 80/65 °C	kW	40	80	120	200	330	530	900
sec. / °C		22/27	22/27	22/32	22/32	22/35	22/35	22/37
prim. 70/60 °C	kW	35	70	110	190	310	480	800
sec. / °C		22/27	22/27	27/32	24/32	25/35	25/35	25/37
prim. 70/55 °C	kW	22	42	70	120	190	300	500
sec. / °C		22/27	22/27	24/32	24/32	25/35	25/35	25/37

Pressure drop

process medium side (primary)



swimming pool water side (secondary)



As delivered condition

Vitotrans 200 with fitted thermal insulation.
From part no. 3003 454 with mating flanges at the process medium connections.

*1 Output details for operation with steam or alternative temperature spreads upon request.

Design information

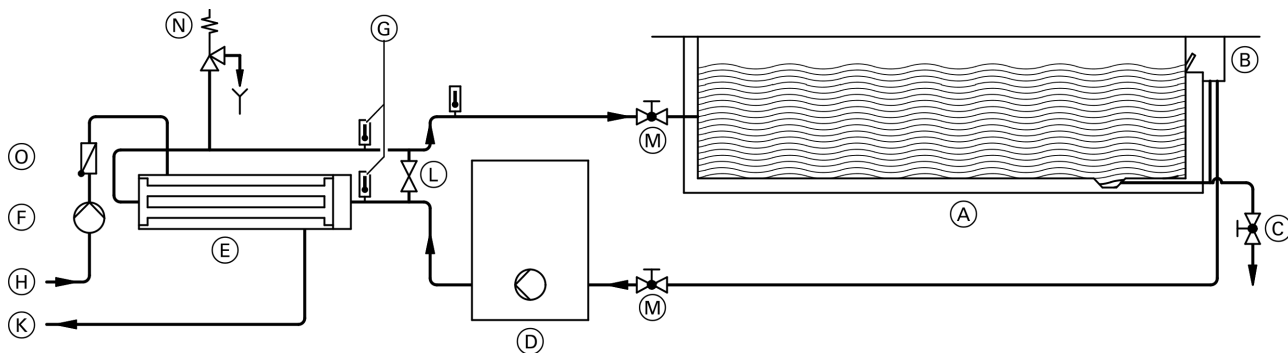
Process medium

Our warranty will be void if process media other than water or steam or an alternative medium other than swimming pool water is used. This applies particularly to the use of brine, sea water or water mixed with chemicals.

Installation diagram

Use of the Vitotrans 200 for swimming pool water heating

The pump on the swimming pool water side must be installed below the water surface level to safeguard perfect operation.



- | | |
|------------------------|-----------------------------|
| Ⓐ Swimming pool basin | Ⓗ From the boiler |
| Ⓑ Skimmer | Ⓚ To the boiler |
| Ⓒ Drain | Ⓛ Bypass |
| Ⓓ Filter with pump | Ⓜ Shut-off valves |
| Ⓔ Vitotrans 200 | Ⓝ Safety valve |
| Ⓕ Heating circuit pump | Ⓞ Spring-loaded check valve |
| Ⓖ Thermometer | |

Safety valve (N) is designed to protect against rising pressure when the shut-off valve is unintentionally closed at the swimming pool side.

Printed on environmentally-friendly,
chlorine-free bleached paper



Subject to technical modifications.

Viessmann Werke GmbH&Co KG
D-35107 Allendorf
Telefon: +49 6452 70-0
Telefax: +49 6452 70-2780
www.viessmann.de

Viessmann Limited
Hortonwood 30, Telford
Shropshire, TF1 7YP, GB
Telephone: +44 1952 675000
Fax: +44 1952 675040
E-mail: info-uk@viessmann.com

5822 155-3 GB